

NSR22-PR Series
TPR22-PR Series
NSR66-PR Series
NSR66-PR3 Series
NSR11-PR Series
NSR12-PR Series

PULL CORD EMERGENCY SWITCHES INSTALLATION AND OPERATING MANUAL

INFORMATIONS

Pull Cord Emergency Switches are designed to stop conveyor systems during emergency or maintenance and repair works. Designed to withstand heavy conditions, it makes it suitable for most industrial applications that are reliable in the long term. This type of emergency stop switches working with steel rope are provided with the possibility of tying a rope at the end.

The rope length should not exceed 50 meters, it is suitable to use NSR / TPR Series switch between 2 ropes. Pull Cord Emergency Switches can be mounted on the walkway or anywhere on the conveyor route that the staff can access. The switch is operated manually by pulling the rope.

In case of the rope breaks or is pulled, the switch operates automatically. There is no need to use a separate tension spring built into the rope.

The switch locks when operated and can be returned to normal manually by lifting the reset handle.

SAFETY WARNING

Ensure that the conveyor is electrically isolated and stationary before carrying out any work on any conveyor equipment. Only a competent electrician should carry out electrical installation, repairs or maintenance.

PREPARATIONS REQUIRED BEFORE INSTALLATION

1- In order to install the switch or switches, flat and solid console or consoles should be determined in the frame of the conveyor belt and the mounting points should be planned.

2- Necessary mechanical and electrical hand tools for installation must be provided.

3- Necessary work clothes should be put-on in terms of work safety.

4- Before electrical connection, electrical energy should be disabled.

MECHANICAL INSTALLATION

1- First of all, the BA-11 coded mounting plate should be fixed to the point where the switch will be mounted or the mounting holes suitable for the switch should be prepared on the point to be mounted.

2- For easy installation, remove the cover of the cable gland, then fix the switch to the mounting point with 2 suitable screws from its 2 fork legs. You can remount the cable gland after the fixing.

3- If the switch in your hand is a TPR series product, the eye of GK-10 coded Turnbuckle must be passed through the pin on the lever of the switch. For this, first of all, you need to remove the pin on the lever with the help of pliers or needle nose, take the shaft out and insert the shaft and pin back so that the eye part of the tensioner is locked into the shaft. You need to use one turnbuckle for one direction and two turnbuckle for two directions in this way. You can see the eye parts of the 2 tensioning apparatus mounted on the arm in the connection diagram. If the switch in your hand is NSR series, you should connect the turnbuckle with the KK-88 coded carabiner lock as shown in the diagram below.

4- Adjust the length of the safety rope.

5- The end of the safety rope must be terminated with 1 piece of RB-050 coded Rope Eye and at least 2 pieces of ZB-216 coded Rope Clamps as seen in the adjacent figure.

6- Rope Eye must be combined directly to the turnbuckle as shown in the connection diagram below, if you wish, you can do the interconnection with 1 KK-55 coded carabiner lock.

7- A piece of KN-015 coded Pig Tail Eye Bolt must be placed for every 5 meters between the switch and the conveyor end fixing point. Mount 1 KN-015 coded Pig Tail Eye Bolt is needed to be placed on the first second meter after the switch.

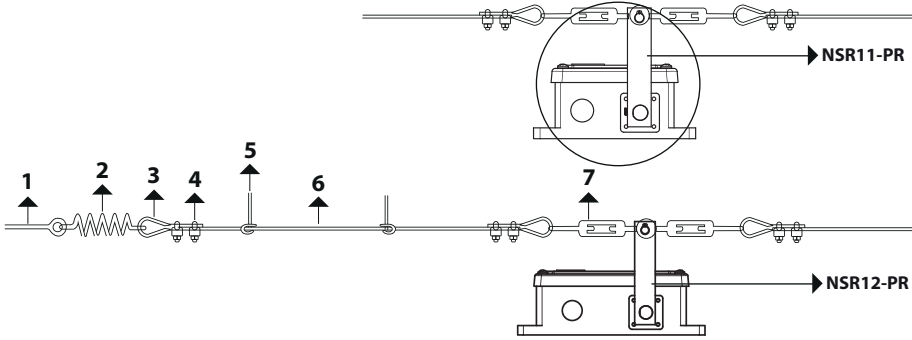
8- Eye Bolt coded KN-013 must be combined to the fixing point at the end of conveyor. Then the stainless steel spring code NB-055SS must be combined to this Eye Bolt.

9- The safety pull rope brought to the end of the conveyor is terminated as described in 5.brief. Subsequently, this rope eye must be combined to the NB-055SS coded stainless steel spring. The steel spring should be able to perform the pulling action with a tension of 35% after this first assembly.

10- At the end of all these operations, make sure that one end of the rope to be fixed to the conveyor is fixed to a fixed point at the end of the conveyor, and the other end is fixed to the switch arm with the help of accessories, as seen in the connection diagram below. Perform the necessary stretching operations on the turnbuckle coded GK-10 due to the requirement that the lever be fixed and upright.

11- Check whether the switch is activated as a result of pulling the rope, make the necessary tension adjustments and final checks until functionality is provided. As soon as the system works perfectly mechanically, you can proceed to the electrical assembly phase.

NSR11-PR / NSR12-PR Mechanical Assembly Structure



Mounting Accessories

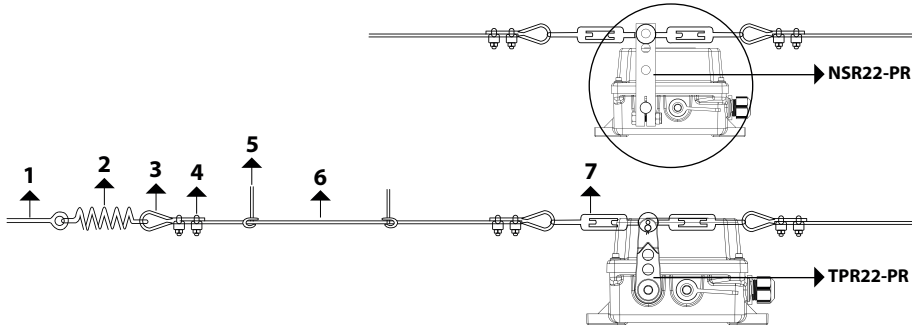
- 1- Eye Bolt (M8)
- 2- Spring
- 3- Rope Eye (5mm)
- 4- Rope Clamp (5mm)
- 5- Pig Tail Eye Bolt (M8)
- 6- Pull Rope 3/5 %50UV + %50PVC Coating
- 7- Turnbuckle Eye-Hook

TECHNICAL INFORMATION

Conforming to Standards EN 60947/ EN60204/ EN60529

Max. Pull Rope Length (at one side)	NSR11: 25 m, NSR12: 50 m	Contact Status	All contact can work at same time.
Rope Tension	50N	Contact Values	250 V 10 A
Cable Input	PG16	Operation Temperature	-35°C - +80°C
Protection Class : IP65			

NSR22-PR / TPR22-PR Mechanical Assembly Structure



Mounting Accessories

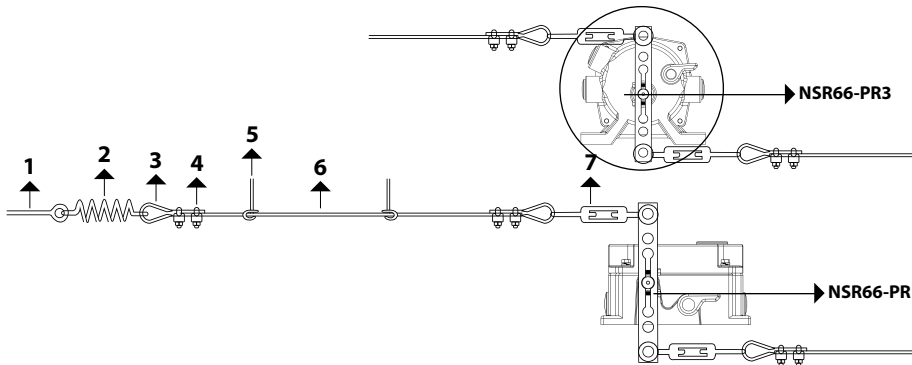
- 1- Eye Bolt (M8)
- 2- Spring
- 3- Rope Eye (5mm)
- 4- Rope Clamp (5mm)
- 5- Pig Tail Eye Bolt (M8)
- 6- Pull Rope 3/5 %50UV + %50PVC Coating
- 7- Turnbuckle Eye-Hook

TECHNICAL INFORMATION

Conforming to Standards EN 60947/ EN60204/ EN60529

Max. Pull Rope Length (at one side)	50 Meters	Contact Status	All contact can work at same time.
Rope Tension	50N	Contact Values	400 VAC 6A / 230 VAC 8A / 24 VDC 10A /80VDC 3A
Cable Input	2X M25	Operation Temperature	NSR22 -40°C - +85°C / TPR22 -55C .. +100°C
Protection Class : NSR22 IP67 / TPR22 IP68			

NSR66-PR / NSR66-PR3 Mechanical Assembly Structure



Mounting Accessories

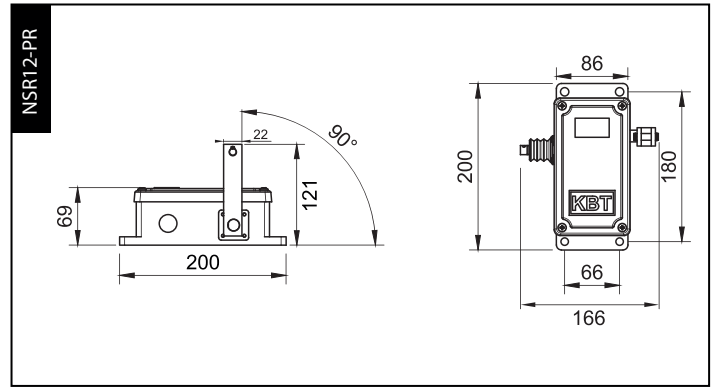
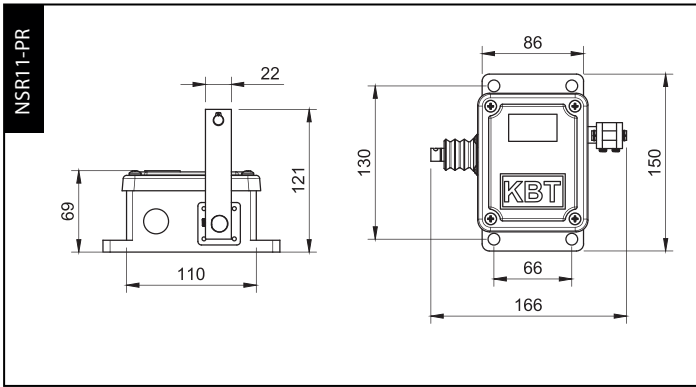
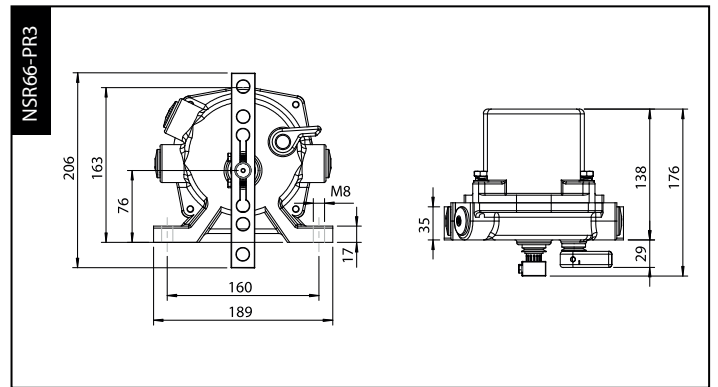
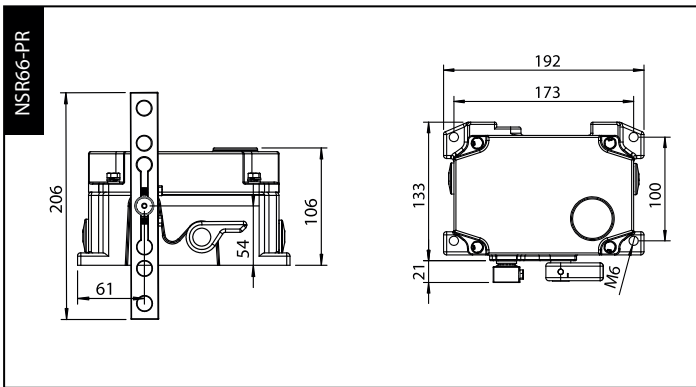
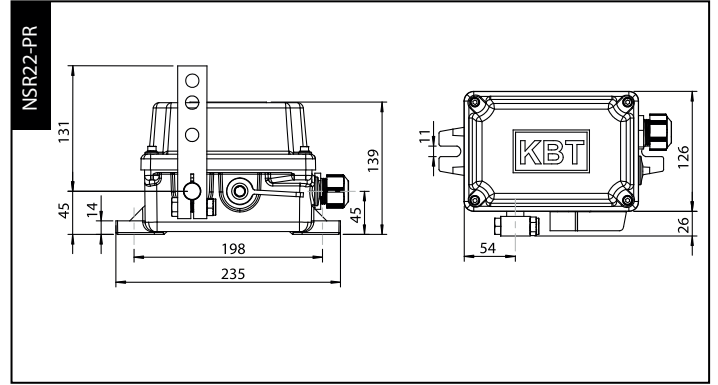
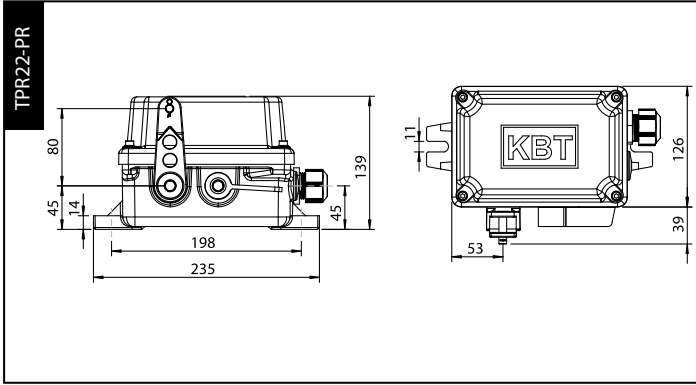
- 1- Eye Bolt (M8)
- 2- Spring
- 3- Rope Eye (5mm)
- 4- Rope Clamp (5mm)
- 5- Pig Tail Eye Bolt (M8)
- 6- Pull Rope 3/5 %50UV + %50PVC Coating
- 7- Turnbuckle Eye-Hook

TECHNICAL INFORMATION

Conforming to Standards EN 60947/ EN60204/ EN60529

Max. Pull Rope Length (at one side)	50 Meters	Contact Status	All contact can work at same time.
Rope Tension	50N	Contact Values	15A @ 115-230 VAC, 30 VDC
Cable Input	2X M25	Operation Temperature	-42°C - 80°C
Protection Class : IP67			

PULL CORD EMERGENCY SWITCHES INSTALLATION AND OPERATING MANUAL



KBT	Product Name		Product Model
	Model		Product Body Material
	Serial Nr		
	Year Production		
	IP 68 250DC V / 5A		
Made in TURKEY			
www.kbtelektrik.com		info@kbtelektrik.com	

Product Model

- Belt Misalignment Switch
- Pull Cord Switch
- Pull Cord Emergency Switch with Signal Lamp
- EX Conveyor Belt Switch
- Rope Connection Accessories
- Conveyor Belt Position Switch
- Conveyor Belt Damage Detector
- Mini Limit Switch
- Tilt Switch
- Tilt Switch Control Panels

Product Body Material

- TPR : BMC or ThermoPlastic Body
- NSR : Moulding (Metal) Body

Protection Class (IP68, IP67)

PULL CORD EMERGENCY SWITCHES INSTALLATION AND OPERATING MANUAL

