



Safety Solutions in Conveyor Belt Systems

Non Mercury Tilt Switch



Tilt Switch

Description

Tilt Switch Probes is an electro mechanical tilt switch used to detect spot loss and feed loss on conveyor belts to control the absence or density of the bulk material during flow of the primary purpose fluids. The probe option is made up of two different models and the other model with SS model

stainless steel body is used in compliance with complex casting and heavy conditions. The control unit can be used with the help of a control unit or it can be directly integrated in to the system.

Features

- All probe models are air tight, dust proof and waterproof
- Compact probes should be used for applications where the area is limited and standard
- Heavy probes should be used for a brasion resistant applications
- Simple Installation and setup
- Lower costs

Usage are as

- High level signal for silos and feeding funnels
- High level signal for stacking
- Anti-blocking in loading / unload in areas of conveyor belts
- Check for missing material on tape

Technical Specifications

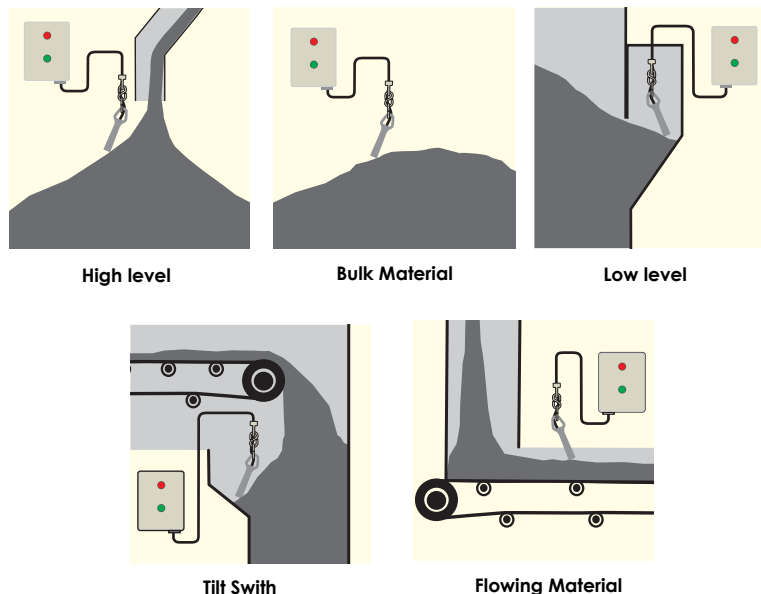
Model	Contact Ratings	Temperature Range	Protection	Connection device	Certificate	Ex
SS-R43	0,25A - 60VAC/DC / 30 ohm	37°C+80°C	IP68	S Hook	CE	On Approval
SS-R43HT	0,25A - 60VAC/DC / 30 ohm	37°C...+190°C	IP68	S Hook	CE	On Approval
CB-R39	0,25A - 60VAC/DC / 30 ohm	37°C+80°C	IP68	S Hook / Chain	CE	On Approval
CB-R39HT	0,25A - 60VAC/DC / 30 ohm	37°C...+190°C	IP68	S Hook / Chain	CE	On Approval

* Cable length is 3 meters.

Probe Information

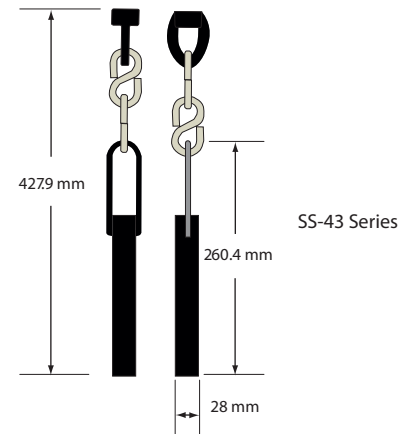
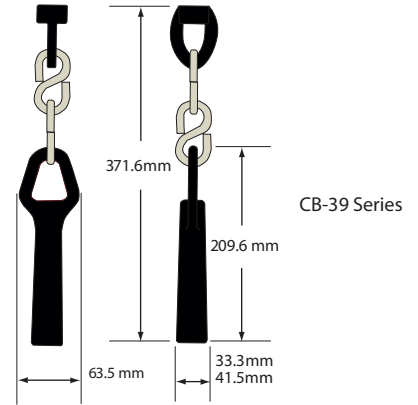
Model No.	Description	Slope Angle	Length (mm)	Probe Diameter (mm)	Weight (Kg)
SS-R43	Stainless Steel Body	360° to 20°	255	25,4	0,45
SS-R43HT	Stainless Steel Body High Temperature	360° to 20°	255	25,4	0,45
CB-R39	Body Casting	360° to 20°	209	33,3	0,65
CB-R39HT	Body Complex Casting Body High Temperature	360° to 20°	209	33,3	0,65

Application Types

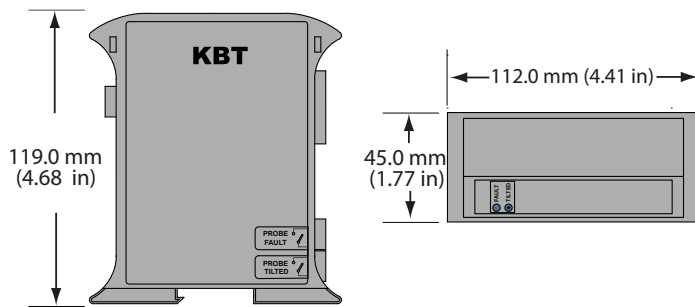


Control Panels Technical Specifications

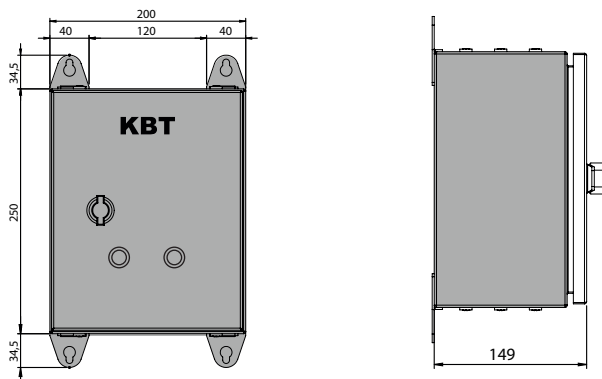
Input	All models	115/230 VAC, 50/60 HZ
Alarm Contact	KT20-P	(2) SPDT—10 Amp@115/230 VAC, 7 Amp@30 VDC non-inductive
	KT25-DIN	(1) NO—2 Amp@115/230 VAC, 3 Amp@24VDC
Fault Contact	All models	(1) NO—rated for 2 Amp@115/230 VAC@24VDC
Delay Time	All models	1, 2, 4, or 6 seconds selectable by jumpers
Temperature	All models	-40°C (-40°F) to +50°C (+122°F)
Protection	KT20-P	IP65 (NEMA 4)
	KT25-DIM	IP20 (NEMA 1)
Certificate	All models	CE
Hazardous Area Use	Awaiting Approval	



KT 25-DIN Mounting Dimensions



KT20-P Mounting Dimensions



KBT[®]

KBT Elektrik Malzemeleri A.Ş.

Tekstilkent Merkezi G2 / 256 - 34235 Esenler Istanbul – Turkey
www.kbtelektrik.com