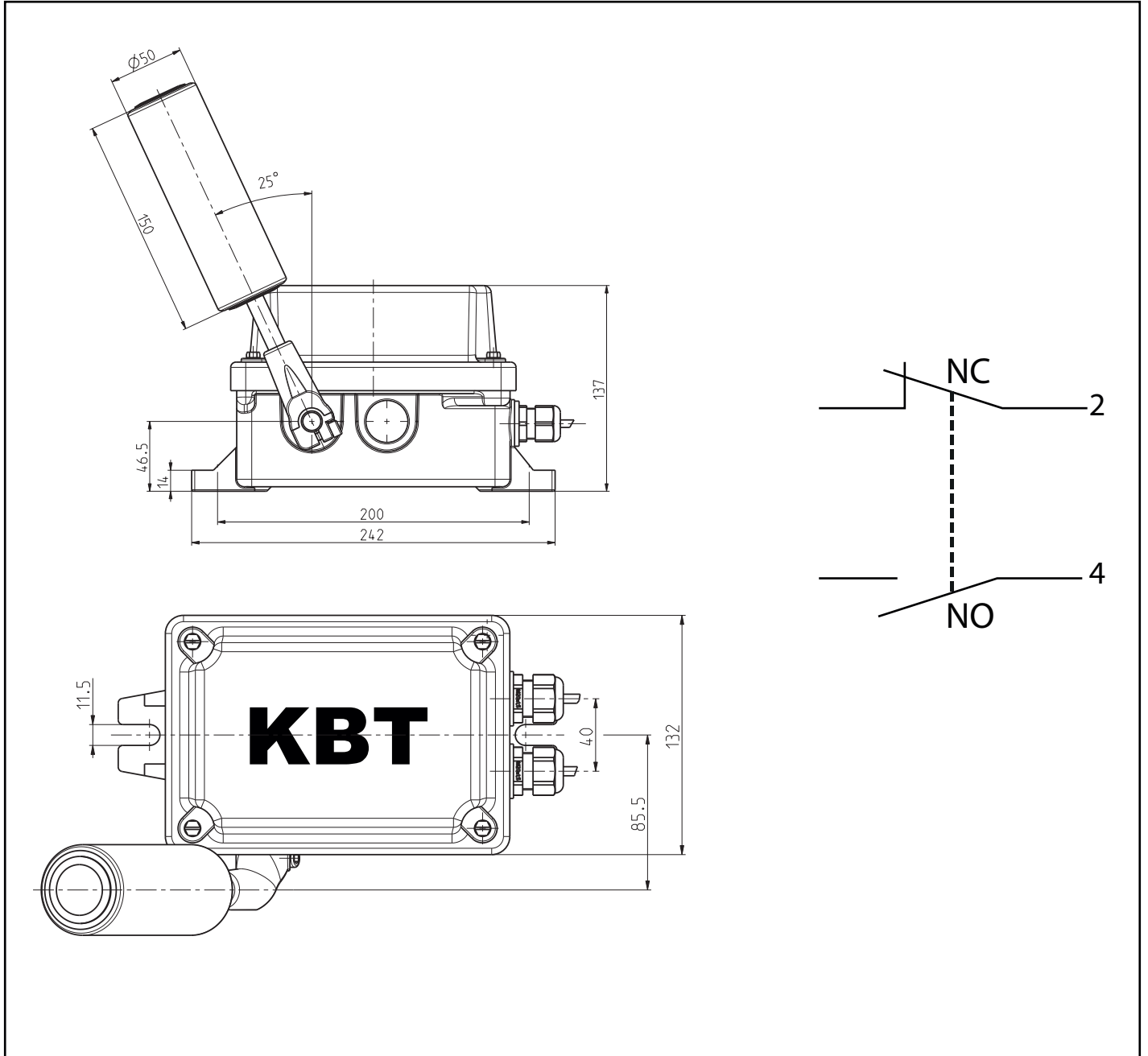


## Model NSR22-BM Technical Data



### Technical Specifications

Aluminum Casting (NEMA 6P)

Micro Switch Values : 400VAC 6A / 230VAC 8A / 24VDC 10A →

Output Signal : (1) SPDT shutdown, alarm can be added upon request.

Cable Entry : 2xM25

Temperature Rating : -55°C - +100°C

Movement Angle : 15° and 35°

Contact Status : Snap - Action

Protection Class : IP68

Casing Color : Red (RAL 3020)

Weight : 3.9 Kg

Mounting Structure : It is suitable for double-sided use.