

Model NSR51 Heavy Duty Limit Switch

Description

NSR51 Heavy Duty Industrial Limit Switches are designed to ensure safety of machinery and industrial equipment under tough working conditions. They are mounted on both sides of the conveyor belts and used to alarm and shut down systems. Reduces downtime and saves maintenance costs.

Due to its design with maximum security in mind, the product is very durable and resistant to environmental effects. Anti-static powder coated metal enclosure is resistant against corrosion, heavy impacts and high temperatures. Shaft mechanisms are made of stainless steel. NSR51 series products do not require any maintenance.

All models conform to CE (European Union) and EAC (Eurasian Customs Union) standards. Microswitches used in these products are VDE approved.

Technical Specifications

- Enclosure: Aluminium Casting
- Micro Switch Rating: 250 VAC 15A \oplus
- Output Signal: (1) SPDT shutdown, alarm can be added upon request.
- Temperature Rating for High Temp Version: -20°C to $+190^{\circ}\text{C}$
- Contact Type: Snap-action
- Protection Class: IP67
- Weight : Weight: 1750 g (1.65lb)
- Mounting Orientation: It is suitable for double-sided use.
- Contact Angles: Alarm at 12° , stop at 45°
- Mechanical Life: 5,000,000 Switching
- Warranty Period: 24 Months



Features

- Resistant to heavy conditions.
- The enclosure uses aluminum alloy die cast.
- Mounting flanges are resistant to intense force.
- Resistant to high temperatures and instantaneous temperature changes.
- The actuator part has a large total travel (TT), so it can be used as a switch.
- High mechanical strength can be fully utilized.
- Excellent environmental resistance.
- Protective structure: The oil seal on the shaft and the O-ring seal on the cover provide an exterior immersion, oil and dust resistant structure.
- It has high durability against high vibration and shock performance.
- It is mechanically long-lasting with roller bearings.

Options

- Mounting Bracket
- Signal Light and Alarm
- Alarm

Safety Standards

- Electrical Safety EN 60947-5-1
- Mechanical Safety EN 60204
- Outdoor Safety EN 60529

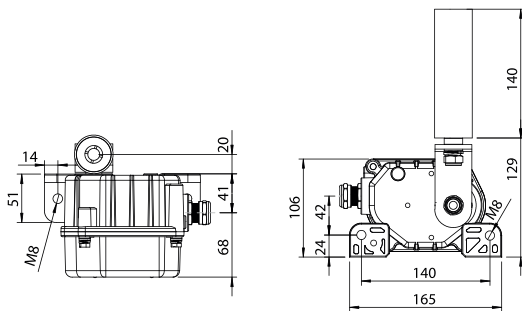
Certificates

CE EAC
Micro switches are VDE approved.

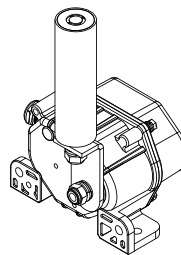
Model Specifications

Product Code	Format	Bidirectional Operation	Movement to Right Side	Center Neutral	One-Step Operation	Two-Step Operation	Automatic Return	Forced Return	Internal Switch Standard Type	High Temperature Type	Circuit Structure SPDT
NSR51-LS-00	Vertical Roller Arm	x			x		x		x		x1
NSR51-LS-01	Vertical Roller Arm	x			x		x		x		x2
NSR51-LS-02	Vertical Roller Arm	x			x		x			x	x1
NSR51-LS-03	Vertical Roller Arm	x			x		x			x	x2
NSR51-LS-61	Vertical Roller Arm	x				x	x		x		x2
NSR51-LS-63	Vertical Roller Arm	x				x	x			x	x2
NSR51-LS-91	Vertical Roller Arm			x			x			x	x2
NSR51-LS-93	Vertical Roller Arm			x			x				x2
NSR51-PR-5210	Perforated Arm		x				x		x		x1
NSR51-PR-5211	Perforated Arm		x				x		x		x2
NSR51-LS-5530	Double Roller Arm							x	x		x1
NSR51-LS-5531	Double Roller Arm							x	x		x2
NSR51-BM-420	Roller Arm	x				x	x		x		x2

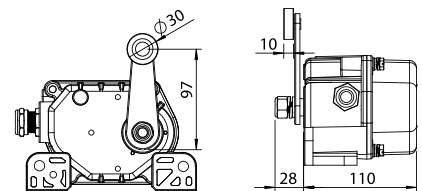
Technical Drawing



NSR51-BM-420



NSR51-LS Series



Dimensions are in mm.

www.kbtelektrik.com