

Model NSR66-BM Belt Misalignment Switch

Description

NSR66-BM Belt Misalignment Switches are designed to alarm and/or shut down a conveyor system in the event of belt drift and misalignment. They are mounted on both sides of the conveyor belt, with roller arm of the switch positioned 3 cm away from the belt. As the belt starts drifting into either side, it will first contact with the switch arm. Arm will roll without disrupting the belt. If belt continues to drift further the switch arm will rotate and actuate microswitches at specified angles.

The product is suitable for reliable long term usage in most industrial applications due to its heavy-duty design. Anti-static powder coated aluminium cast enclosure is resistant to corrosion and oxidation. Shaft mechanisms are made of stainless steel and all internal parts are metal cast. NSR66-BM series products do not require any maintenance.


Standard product's contact structure is 2NO+2NC. The switch arm will actuate the alarm switch at 15° angle. Corrective action can be taken before further misalignment. If the belt drifts further and the switch arm rotates until 25°, the second microswitch will be actuated and the system will stop. Can be customized with both switches working at the same angle.

All models conform to CE (European Union) and EAC (Eurasian Customs Union) standards. Microswitches used in these products are VDE approved.

Technical Specifications

- Enclosure: Aluminium Casting
- Micro Switch Rating: 250 VAC 15A / 24 VDC 10A
- Output Signal: (2) SDPT Alarm and Stop
- Cable Entry: 2 x M25
- Temperature Rating: -45°C to +80°C
- Contact Angles: 15° and 25°
- Protection Class: IP67
- Enclosure Color: Yellow (RAL 1012)
- Weight: 4.3 kg
- Mounting Orientation: It is suitable for double-sided use.
- Impact Rating: IK09 (EN 62262)
- Warranty Period: 24 Months

Options

- ATEX Zone 21 / Zone 22
- Without Reset Lever
- Bus Security Interface 
- Custom Contact Angles
- Mounting Bracket
- Custom Arm Dimensions

Safety Standards

- Electrical Safety EN 60947
- Mechanical Safety EN 60204
- Outdoor Safety EN 60529
- Impact Resistance EN 62262

Certificates

- CE EAC
- Micro switches are VDE approved.

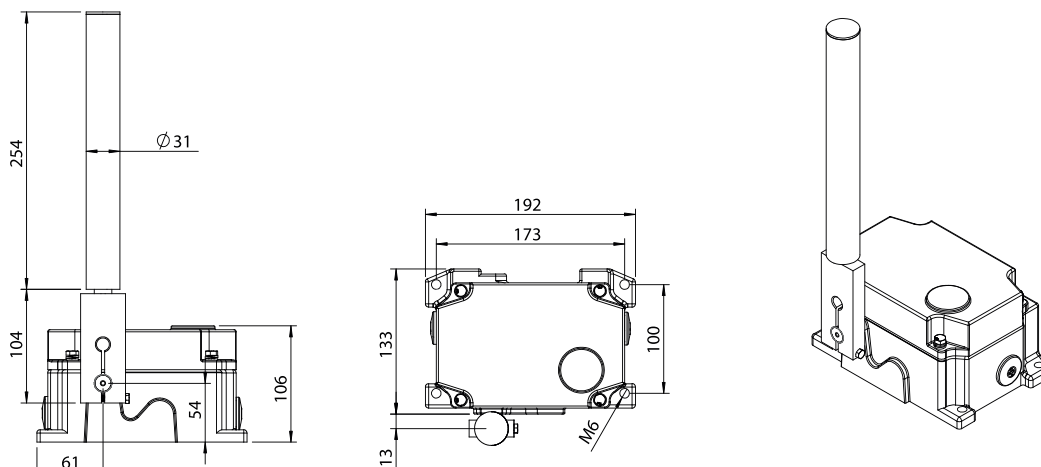


Spare Parts

Model	Features
Z-15GW22-B	1NO+1NC Switch
KB-R-01	M25x1,5 Cable Gland
122.R1.1241	Blind Plug
BA-33	Mounting Bracket (Can be made in custom dimensions)
166.G1.1110	Enclosure
166.KL1.1626	Roller Arm
166.RM1.1618	Reset Lever

Please refer to the manual for instructions. See our KBT Accessories catalog for installation equipment.

Technical Drawing



Dimensions are in mm.