

## Model NSR66-PR Pull Rope Switch

### Description

NSR66-PR Pull Rope Switches are designed for shutting down a conveyor belt or machinery and assuring system safety. They are also referred as "Pull Rope Switches". They are mounted alongside the conveyor belt, with tensioned steel cords attached to the switch arm from either side or both sides. When the cord is pulled, switch arm will turn until the locking angle and system shuts down. The switch can be reset manually with resetting lever.

The product is suitable for reliable long term usage in most industrial applications due to its heavy-duty design. Anti-static powder coated aluminium cast enclosure is resistant to corrosion and oxidation. Shaft mechanism is made of stainless steel and all internal parts are metal cast. NSR66-PR series products do not require any maintenance.

In standard applications, cord length is 50 m to both sides. All models can be equipped with an alarm switch and signal light so alarming switch can be spotted from distance. Standard product's contact structure is 2NO+2NC. The switch body can be mounted vertically or horizontally.


All models conform to CE (European Union) and EAC (Eurasian Customs Union) standards. Microswitches used in these products are VDE approved.

We recommend tested and approved KBT Connection Equipment for installation.

### Technical Specifications

- Enclosure: Aluminium Casting
- Micro Switch Rating: 250 VAC 15A / 24 VDC 10A (⚡)
- Output Signal: (2) SDPT Alarm and Stop
- Cable Entry: 2 x M25
- Temperature Rating: -45°C to +80°C
- Contact Angle: 25°
- Rope Length: 2 x 50 metres
- Protection Class: IP67
- Enclosure Color: Yellow (RAL 1012)
- Weight: 3.6 kg
- Mounting Orientation: It is suitable for double-sided use.
- Impact Rating: IK09 (EN 62262)
- Warranty Period: 24 Months

### Options

- ATEX Zone 21 / Zone 22
- Without Reset Lever
- Bus Security Interface 
- Custom Contact Angles
- Mounting Bracket

### Safety Standards

- |                   |          |
|-------------------|----------|
| Electrical Safety | EN 60947 |
| Mechanical Safety | EN 60204 |
| Outdoor Safety    | EN 60529 |
| Impact Resistance | EN 62262 |

### Certificates

CE EAC

Micro switches are VDE approved.

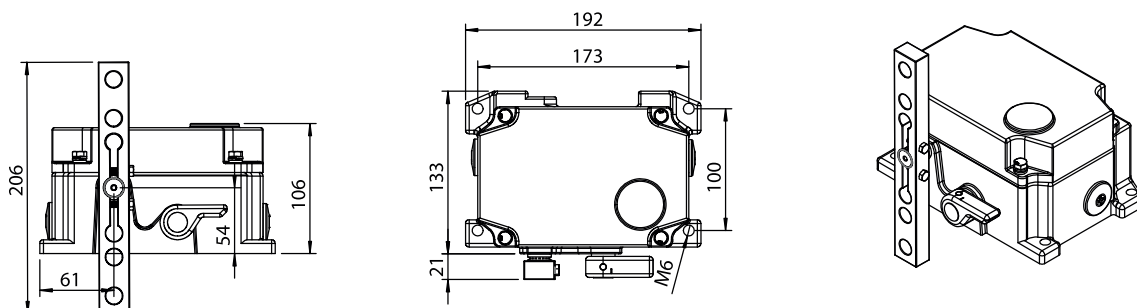


### Spare Parts

Model	Features
Z-15GW22-B	1NO+1NC Switch
KB-R-01	M25x1,5 Cable Gland
122.R1.1241	Blind Plug
KB-4-KN	4 Pin Connector
BA-33	Mounting Bracket (Can be made in custom dimensions)
166.G1.1110	Enclosure
166.KL1.1625	Rope Connection Arm
166.RM1.1618	Reset Lever

Please refer to the manual for instructions. See our KBT Accessories catalog for installation equipment.

### Technical Drawing



Dimensions are in mm.

[www.kbtelektrik.com](http://www.kbtelektrik.com)