

Model NSR75-PR Pull Rope Emergency Stop Switch

Description

NSR75-PR Pull Rope Emergency Stop Switches are designed for shutting down a conveyor belt or machinery and assuring system safety. They are mounted alongside the conveyor belt, with tensioned steel cords attached to the switch. When the cable is pulled or the cable loses its tension, the switch will actuate and system will shut down. Then the switch can be reset manually with resetting lever.

The product is suitable for reliable long term usage in most industrial applications. Can be used in dusty and dirty due to its IP67 protection class. Enclosure is aluminum cast, shaft mechanism is stainless steel and the resetting lever is made of durable plastic. NSR75-PR series products do not require any maintenance.

Rope length is 75 m or 125 m in only one way, distance depends on the applicaton. All models can be equipped with an alarm switch and signal light so alarming switch can be spotted from distance. Standard product's contact structure is 1NO+1NC. If requested, 2NO+2NC is available.

All models conform to CE (European Union) and EAC (Eurasian Customs Union) standards. Microswitches used in these products are VDE approved.

We recommend tested and approved KBT Connection Equipment for installation.

Technical Specifications

- Enclosure: Aluminum Casting
- Micro Switch Rating: 240 V 3A (→)
- Output Signal: 1NC+1NO, 1NC+2NO, 2NC+1NO, 2NC+2NO
- Temperature Rating: -25°C to +80°C
- Contact Type: Snap-action
- Mounting Bolts: 4 x M5
- Protection Class: IP67
- Enclosure Color: Red (RAL 3020)
- Weight: 630 g
- Mounting Orientation: Can be mounted on single side.
- Actuation Force: <125N
- Mechanical Endurance: 1,000,000 cycles
- Warranty Period: 24 Months

Options

- ATEX Zone 21 / Zone 22
- Mounting Bracket
- Signal Light and Alarm

Safety Standards

Electrical Safety	EN 60947-5-1
Mechanical Safety	EN 60204
Outdoor Safety	EN 60529
Impact Resistance	EN 62262

Certificates

CE EAC

Micro switches are VDE approved.



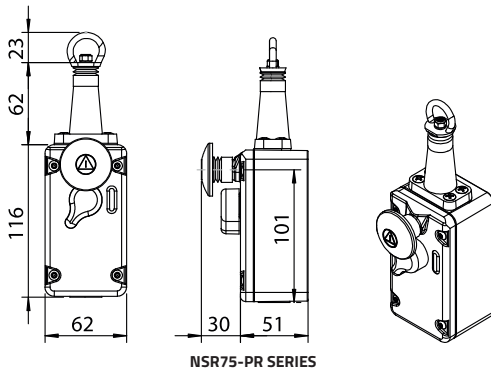
Model Specifications

Model	Contact Structure		Model	Contact Structure	
	NC	NO		NC	NO
NSR75-PR-11	1	1	NSR75BL-PR-11	1	1
NSR75-PR-2C1A	2	1	NSR75BL-PR-2C1A	2	1
NSR75-PR-2A1C	1	2	NSR75BL-PR-2A1C	1	2
NSR75-PR-22	2	2	NSR75BL-PR-22	2	2

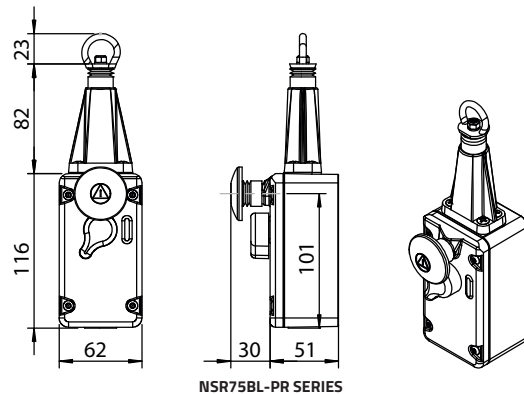
*75 metres rope length

*125 metres rope length

Technical Drawing



NSR75-PR SERIES



NSR75BL-PR SERIES

Dimensions are in mm.