

## Model NSR75-PR Pull Cord Switch

### Specifications

NSR75-PR (XX) series rope pull emergency stop switches are safety switches designed for controlling or stopping by ensuring the safety of a conveyor belt or a machine system. The heavy duty rugged design makes them suitable for most industrial applications. Body structure is thermoplastic material, it is resistant to corrosion and oxidation. Shaft mechanisms are made of stainless steel and Arm mechanisms are made of hard plastic. Products has IP67 protection class can work in the most dusty and dirty environments. KBT Pull cord switches It is also called as rope switch. It can be mounted on the application area with a steel rope. Also It can operate by moving on one side or on both sides. If the ropes are pulled from one direction, the system is locked and the switches go to the

stop position, then it is returned to normal with Manual reset. It is 75 meters standard distance to one side. It has 1NO + 1NC contact structure in standard and can be produced with different contact structure upon request. You can see this in the product code selection table below. The microswitch used in the products has been approved by VDE. All products are manufactured in accordance with CE standards. Meets EAC standards for the Russian market. NSR75-PR (XX) series products do not require any maintenance. It is recommended to use KBT connection accessories that are highly tested and approved for their connections.

### Technical Specifications

- Body : Metal
- Micro Switch Values : AC250V / 3A
- Output Signal : Min. 1 NC + 1 NO
- Working Temperature : -25°C ~ +70°C
- Contact Structure : Snap Action, Simultaneous (Eş Zamanlı)
- Protection Class : IP67
- Body Color : Red body, blue reset button
- Weight : 630g (1.38lb)
- Installation Structure : Suitable for using at only one side
- Operating Force : <125N (300mm span; 28.1lb span)
- SCable Span Between Switches, Max. : 75m (246ft)
- Fixing : 4 x M5
- Mechanical Life : 1,000,000

### Options

- EX - Zone 22 / Zone 21
- Mounting Plate
- Signal Lamp
- Alarm

### Security Approvals

Electrical Security	EN60947-5-1
Mechanical Security	EN 60204
Outdoor Security	EN 60529
Current Certificate	CE
Russia Market	EAC
Micro Switch	VDE

### Sample Applications

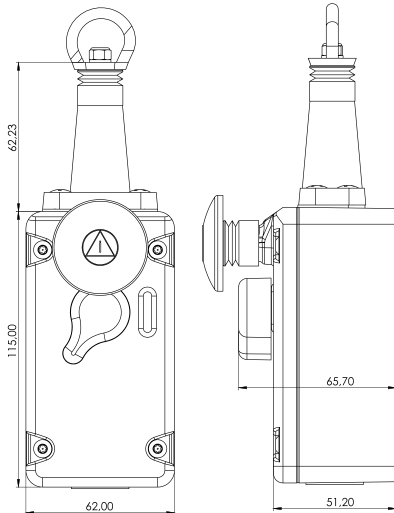
- Belt Conveyors
- Violation detection as a barrier around the machine
- In Machine Tools

### Model Specifications List

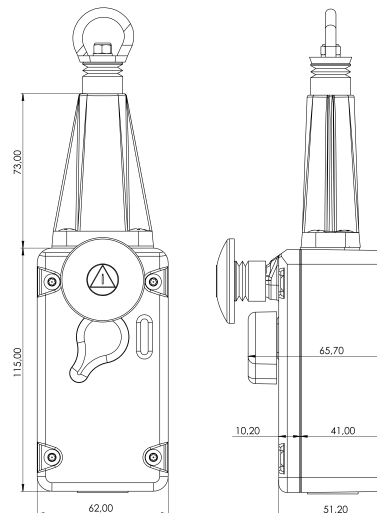
Model	Structure of Contact		Model	Structure of Contact	
	NC	NO		NC	NO
NSR75-PR-11	1	1	NSR75BL-PR-11	1	1
NSR75-PR-2C1A	2	1	NSR75BL-PR-2C1A	2	1
NSR75-PR-2A1C	1	2	NSR75BL-PR-2A1C	1	2
NSR75-PR-22	2	2	NSR75BL-PR-22	2	2
NSR75-PR-3C1A	3	1	NSR75BL-PR-3C1A	3	1
NSR75-PR-3A1C	1	3	NSR75BL-PR-3A1C	1	3

\*75 meters rope distance

\*125 meters rope distance



NSR75-PR SERIES



NSR75BL-PR SERIES