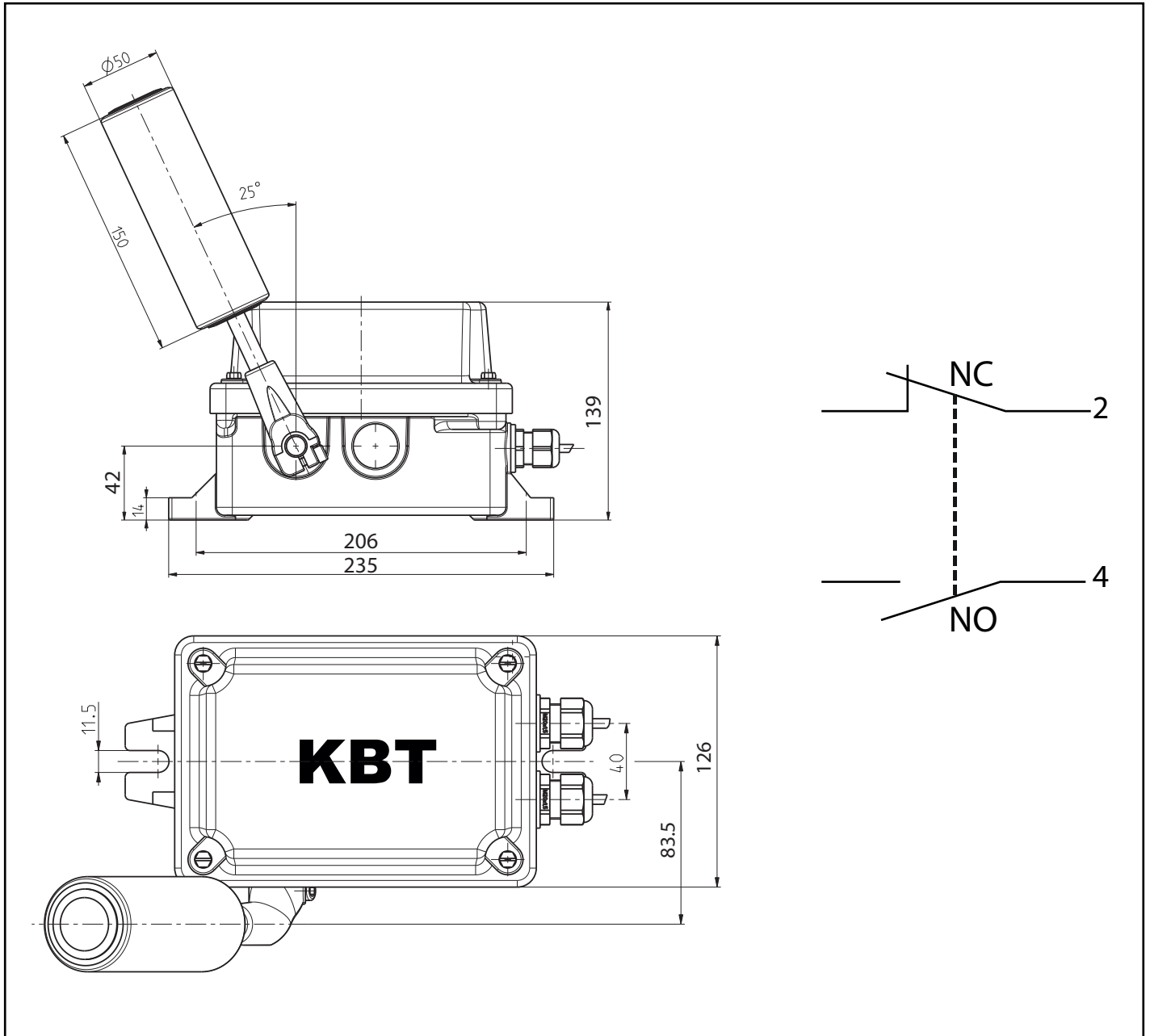


## Model TPR22-BM-EX Technical Data



### Technical Specifications

Ex Zone 11 ve 21

Bmc Hard Composite

Micro Switch Values : 400VAC 6A / 230VAC 8A / 24VDC 10A 

Output Signal : (1) SPDT shutdown, alarm can be added upon request.

Cable Entry : 2x M25

Connector : M25 Ex Gland

Temperature Rating : -30°C - +85°C

Movement Angle : 15° and 35°

Contact Status : Snap - Action

Protection Class : IP68

Casing Color : Black RAL 7021

Weight : 3.1 Kg

Mounting Structure : It is suitable for double-sided use.