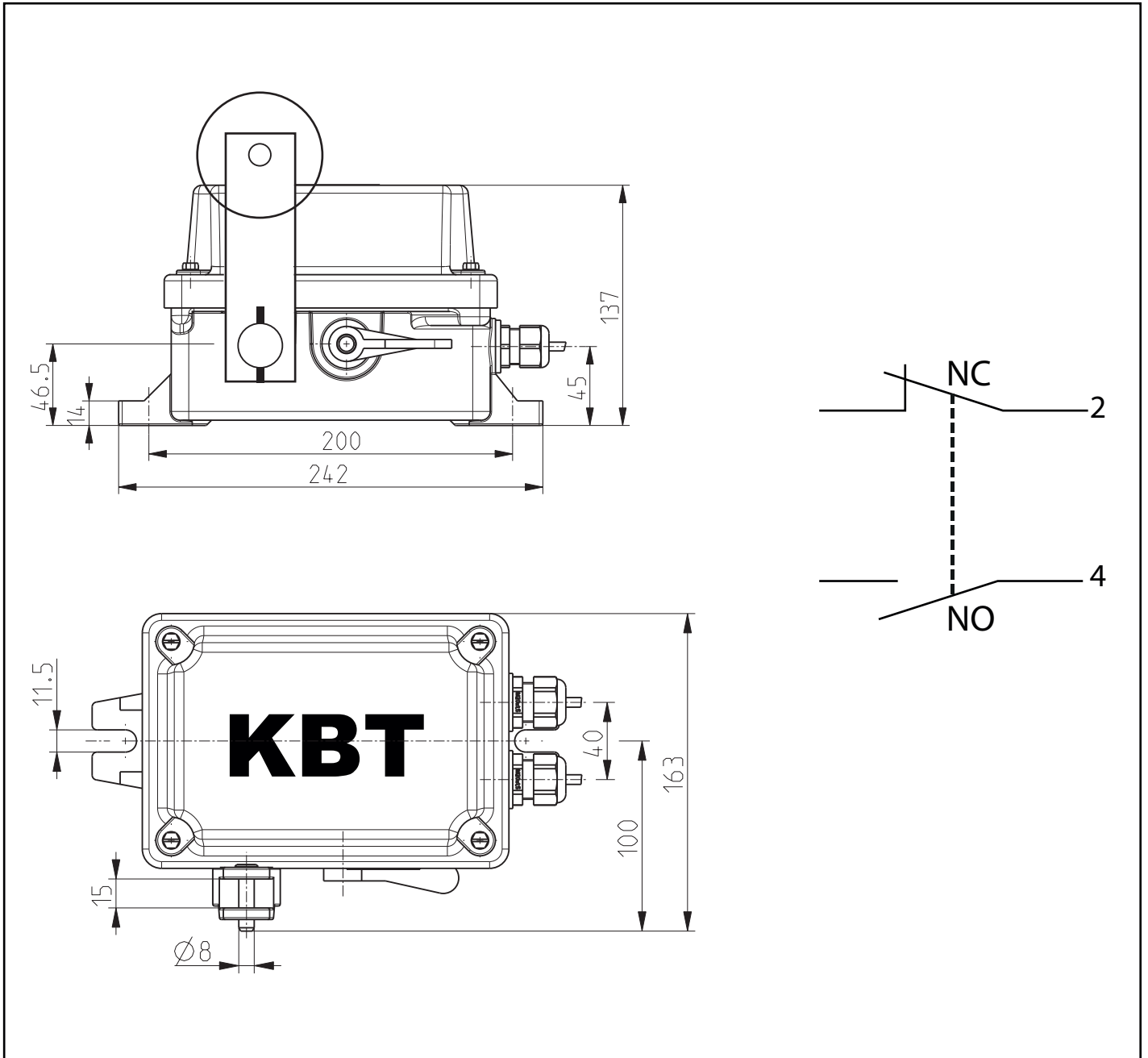


Model TPR22-PS-EX Technical Data



Technical Specifications

Ex Zone 11 ve 21

Bmc Hard Composite

Micro Switch Values : 400VAC 6A / 230VAC 8A / 24VDC 10A →

Output Signal : (1) SPDT shutdown, alarm can be added upon request.

Cable Entry : 2xM25

Temperature Rating : -30°C - +85°C

Movement Angle : 25°

Contact Status : Snap - Action

Protection Class : IP68

Casing Color : Black (RAL 7020)

Weight : 2,7 Kg

Mounting Structure : It is suitable for double-sided use.